



**Electrolux**  
PROFESSIONAL

**Standard Preparation  
Cupboard Base for Sink Top (2  
hinged door) - no top, 700mm**

ITEM # \_\_\_\_\_

MODEL # \_\_\_\_\_

NAME # \_\_\_\_\_

SIS # \_\_\_\_\_

AIA # \_\_\_\_\_



133183 (RSAU7002HD)

Cupboard Base for Sink Top  
(2 hinged door) - no Top,  
700mm

**Short Form Specification**

Item No. \_\_\_\_\_

Made entirely from stainless steel. Inner welded frame in stainless steel.  
No top unit for integrated solutions without back panel for sink piping  
connection. Base panel in 304 AISI stainless steel and height-adjustable  
intermediate shelf. Sound-deadened hinged door. Mounted on feet,  
adjustable in height.

**Main Features**

- Handles in stainless steel for better hygiene and reliability.
- Sturdiness, stability and reliability of table accurately tested.

**Construction**

- Unit without backpanel for easy installation.
- Reinforced side and base panel in 304 AISI stainless steel.
- 304 AISI stainless steel feet, 200 mm high and 54 mm in diameter, adjustable by -50/+30 mm.
- Inner welded frame in stainless steel to guarantee superior strength and stability.
- Easy access to the cupboard interior on all lengths guaranteed by the use of only 2 doors.
- Sturdy sound-deadened hinged doors on tracks located flush to the front of the frame.
- Hinged door with sound deadening internal panels, fitted with 304 AISI stainless steel hinges on the inner sides.
- Without top for integrated solutions.

**Optional Accessories**

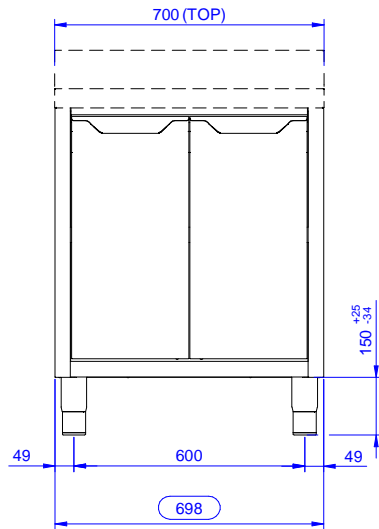
- Stainless steel front kicking strip PNC 133205
- Side kicking strip, 700 mm PNC 133206

APPROVAL: \_\_\_\_\_

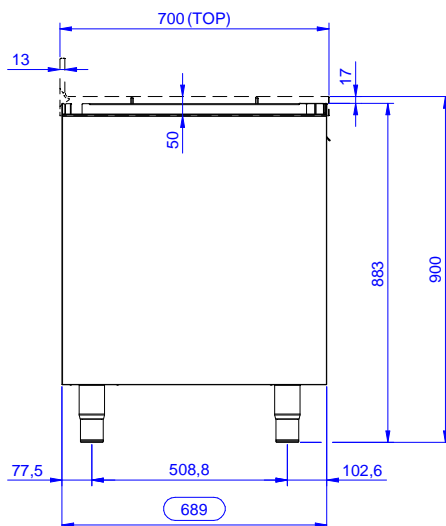


Experience the Excellence  
[www.electroluxprofessional.com](http://www.electroluxprofessional.com)

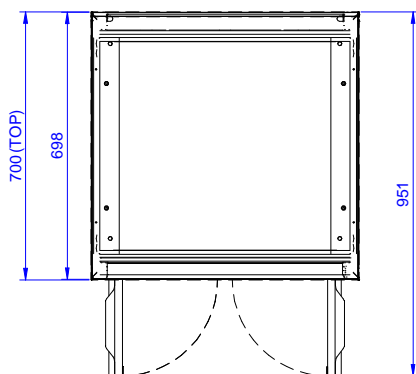
Front



Side



Top



### Key Information:

<b>Cabinet width:</b>	
133183 (RSAU7002HD)	645 mm
<b>Cabinet depth:</b>	645 mm
<b>Cabinet height:</b>	650 mm
<b>External dimensions, Width:</b>	700 mm
<b>External dimensions, Depth:</b>	700 mm
<b>External dimensions, Height:</b>	883 mm
<b>Number and type of doors:</b>	2 Hinged
<b>Net weight:</b>	27 kg

Standard Preparation  
 Cupboard Base for Sink Top (2 hinged door) - no top, 700mm

The company reserves the right to make modifications to the products without prior notice. All information correct at time of printing.